



MOTOREINBAU MECHANIK
ENGINE ATTACHMENT, MECHANICAL PARTS

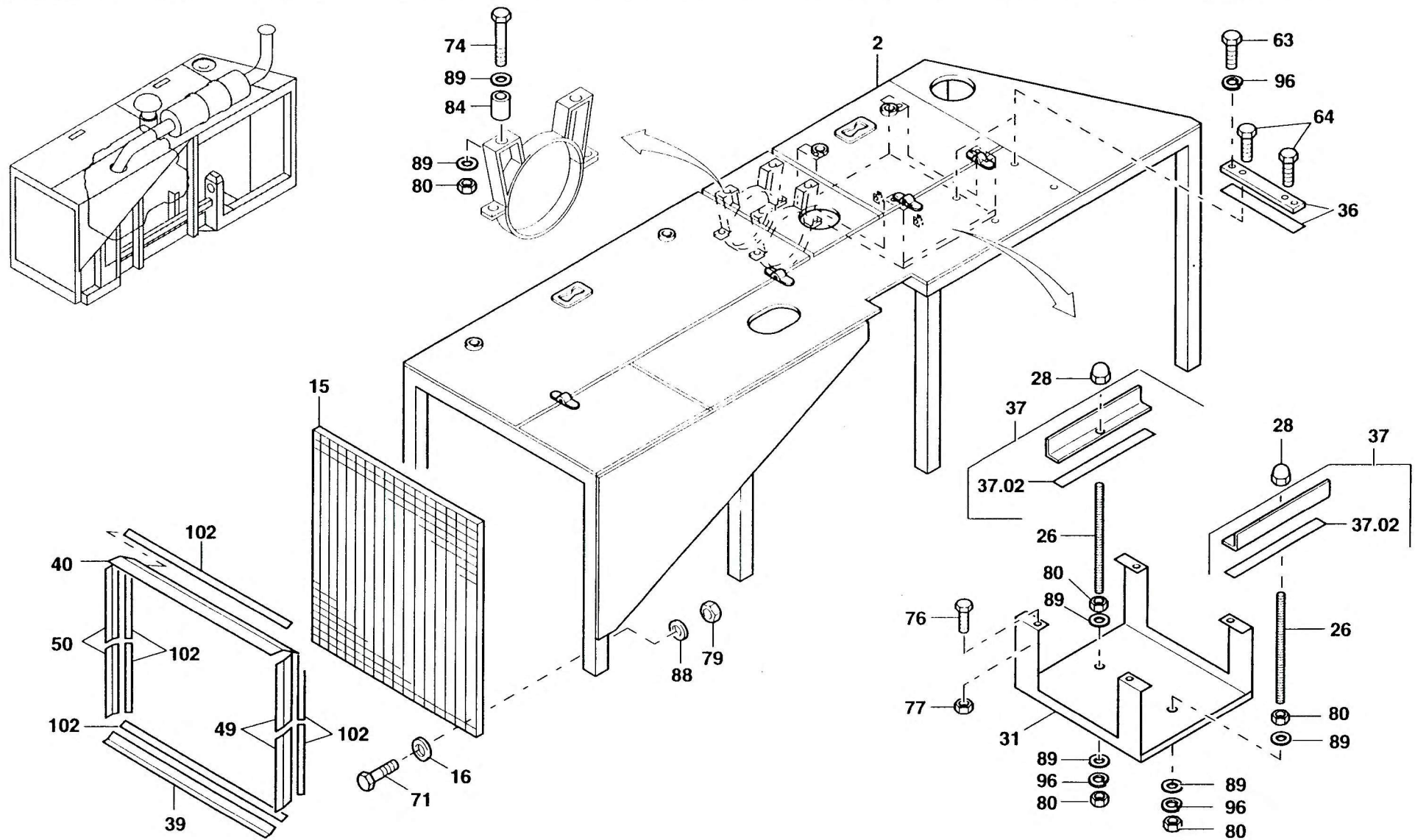
BILDTAFEL
PICTORIAL DISPLAY

12.95

2301591-ETL E

1/4

GMK 5160
BE 660
G 626





MOTOREINBAU MECHANIK
ENGINE ATTACHMENT, MECHANICAL PARTS

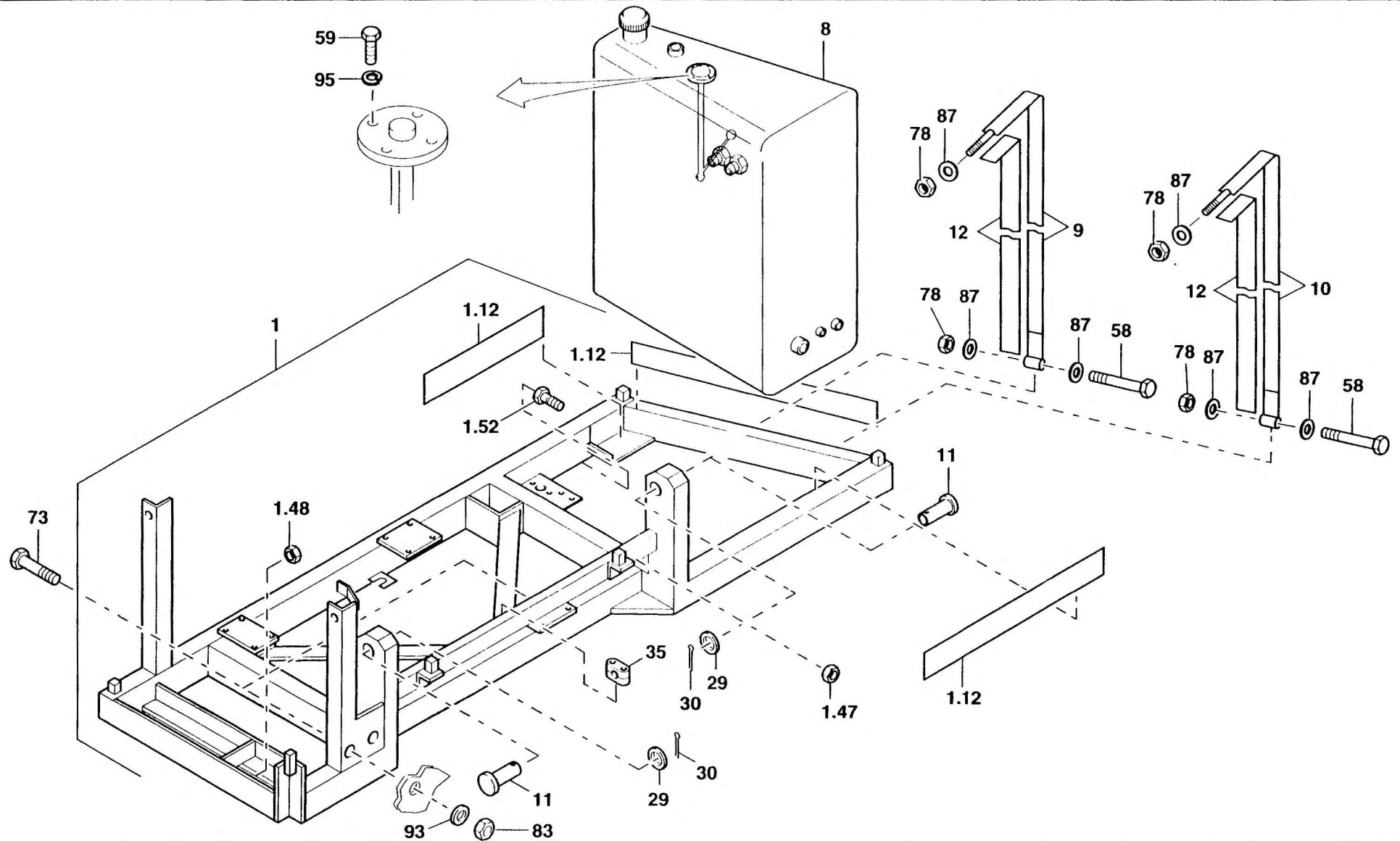
BILDTAFEL
PICTORIAL DISPLAY

12.95

2301591-ETL E

2/4

GMK 5160
BE 660
G 626





MOTOREINBAU MECHANIK
ENGINE ATTACHMENT, MECHANICAL PARTS

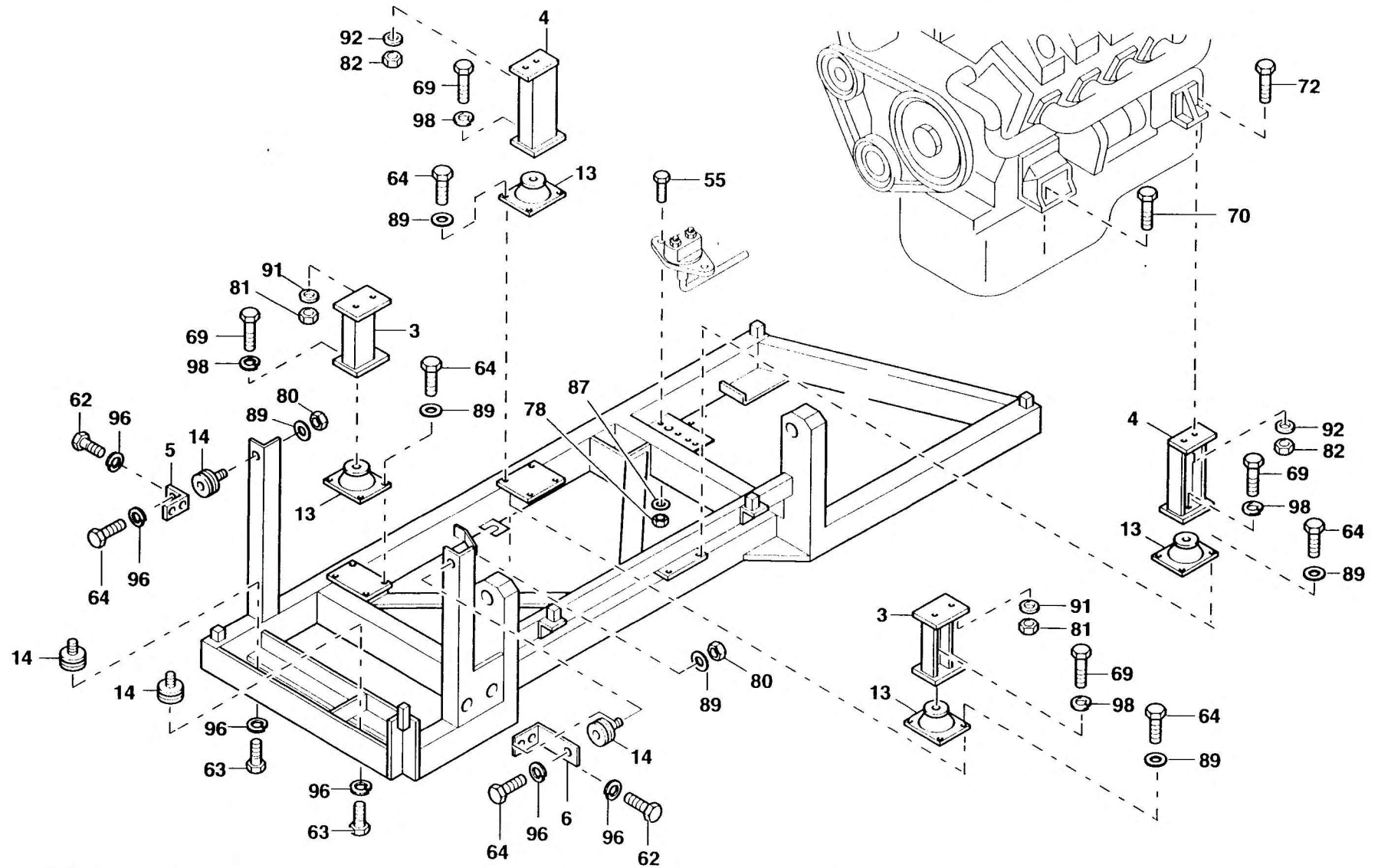
BILDTADEL
PICTORIAL DISPLAY

12.95

2301591-ETL E

3/4

GMK 5160
BE 660
G 626





MOTOREINBAU MECHANIK
ENGINE ATTACHMENT, MECHANICAL PARTS

BILDТАFЕL
PICTORIAL DISPLAY

12.95

2301591-ETL E

4/4

GMK 5160
BE 660
G 626

